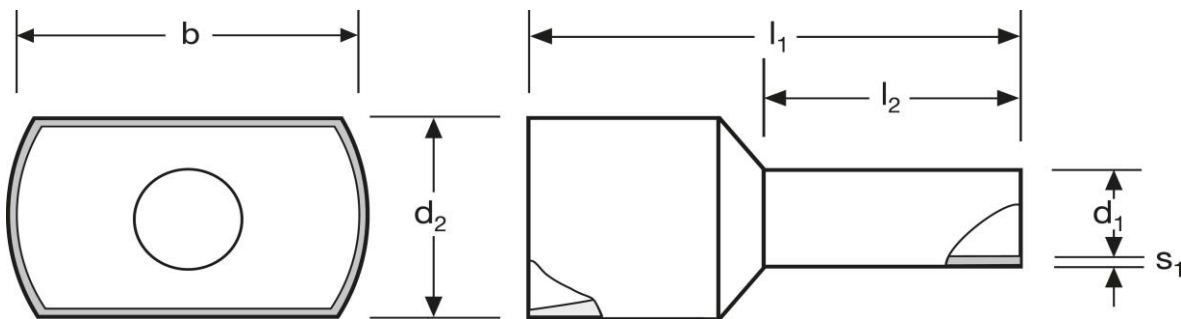
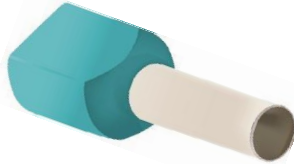



Twin - Aderendhülsen

2 x 0,34 mm² L



Material	Isolation	
E-Cu, gal. Sn	PP	500

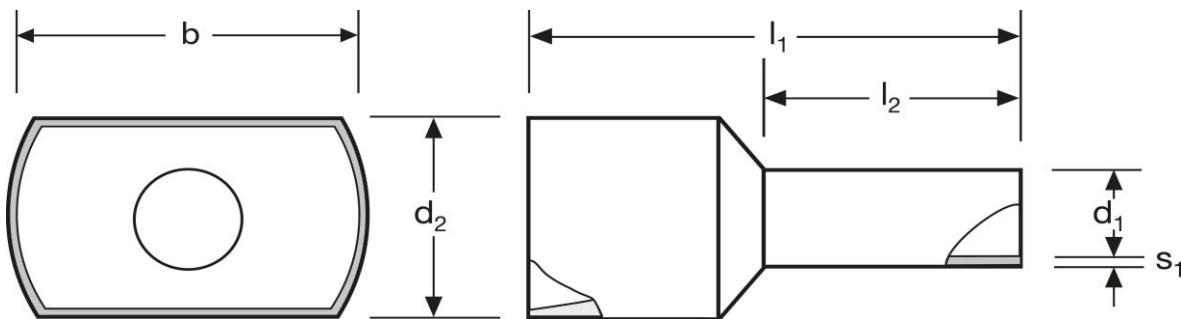
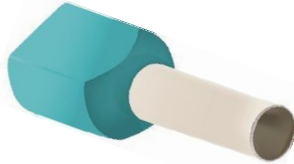
	l_1	l_2	d_1	s_1
in mm:	15,0	8	1,15	0,15

	d_2	b	WE	TM	DIN
	1,8	3,4	A 260081		
			türkis		
					

Stand: 14.01.2019


Twin cord end - sleeves

2 x 0,34 mm² L



material	insulation	
E-Cu, gal. Sn	PP	500

	l_1	l_2	d_1	s_1
in mm:	15,0	8	1,15	0,15

		WE	TM	DIN
d_2	b	A 260081		
1,8	3,4	turquoise		
				

date: 14.01.2019