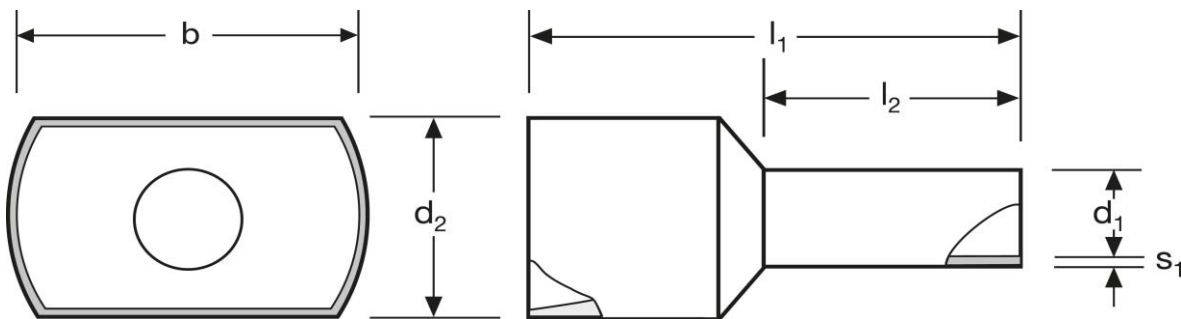
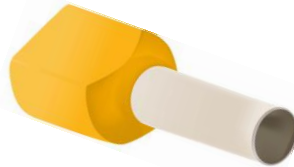


## Twin - Aderendhülsen

2 x 0,5 mm<sup>2</sup> N

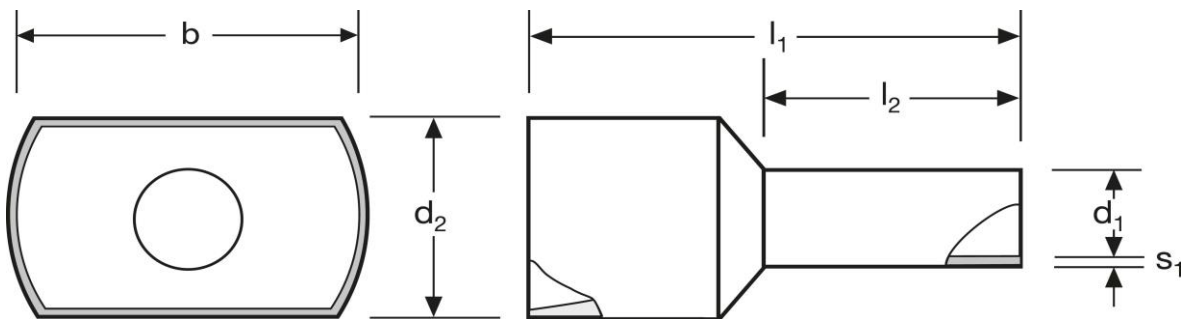
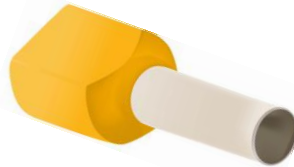


		Material	Isolation		
		E-Cu, gal. Sn	PA	0,106 / 1000	500
		l <sub>1</sub>	l <sub>2</sub>	d <sub>1</sub>	s <sub>1</sub>
in mm:		14,5	8	1,5	0,15
		WE	TM	DIN	
d <sub>2</sub>	b	A 261081	A 261082	A 261083	
2,9	5,0	orange	weiß	weiß	

date: 08.11.2016

## Twin cord end - sleeves

2 x 0,5 mm<sup>2</sup> N



		material	insulation		
		E-Cu, gal. Sn	PA	0,106 / 1000	500
		l <sub>1</sub>	l <sub>2</sub>	d <sub>1</sub>	s <sub>1</sub>
in mm:		14,5	8	1,5	0,15
		WE	TM	DIN	
d <sub>2</sub>	b	A 261081	A 261082	A 261083	
2,9	5,0	orange	white	white	

date: 08.11.2016