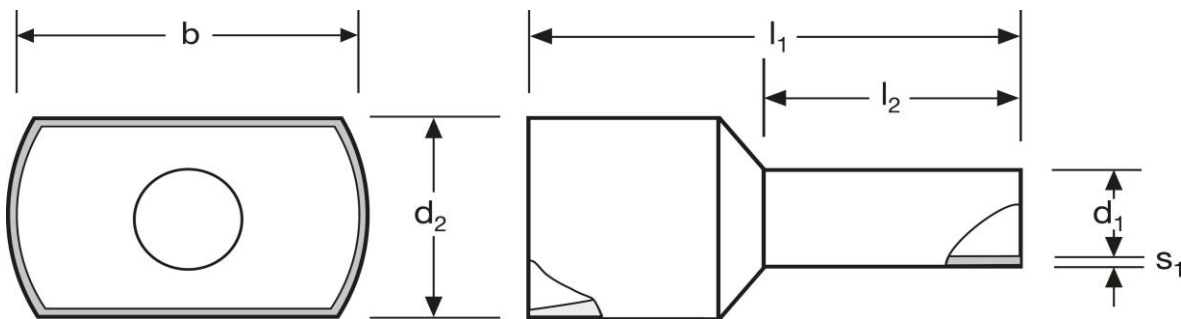
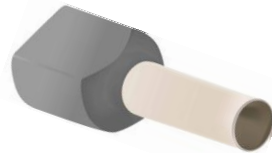


## Twin - Aderendhülsen 2 x 0,75 mm<sup>2</sup> K

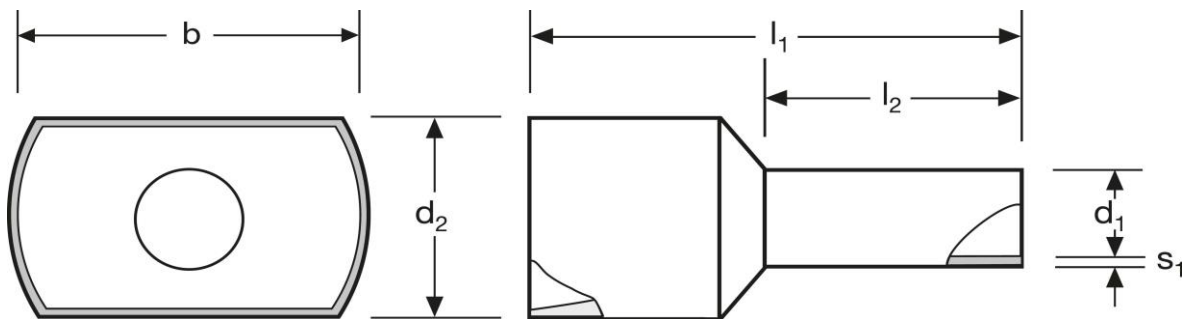
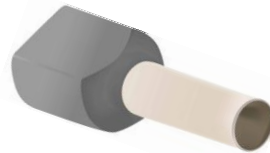


		Material	Isolation		
		E-Cu, gal. Sn	PP	0,116 / 1000	500
		l <sub>1</sub>	l <sub>2</sub>	d <sub>1</sub>	s <sub>1</sub>
in mm:		13,0	6	1,8	0,15
		WE	TM	DIN	
d <sub>2</sub>	b	A 262061	A 262062	A 262063	
3,0	5,0	weiß	hellblau	grau	

Stand: 08.11.2016

## Twin cord end - sleeves

2 x 0,75 mm<sup>2</sup> K



		material	insulation		
		E-Cu, gal. Sn	PP	0,116 / 1000	500
		l <sub>1</sub>	l <sub>2</sub>	d <sub>1</sub>	s <sub>1</sub>
in mm:		13,0	6	1,8	0,15
		WE	TM	DIN	
d <sub>2</sub>	b	A 262061	A 262062	A 262063	
3,0	5,0	white	lightblue	grey	

date: 08.11.2016