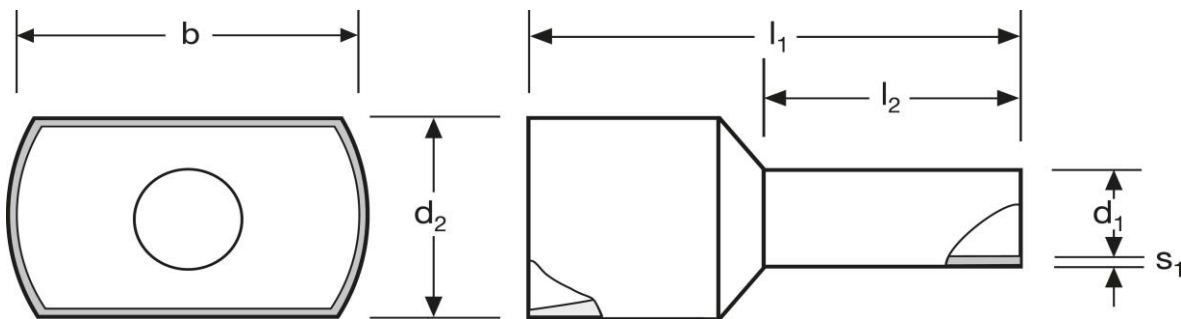


## Twin - Aderendhülsen 2 x 0,75 mm<sup>2</sup> N

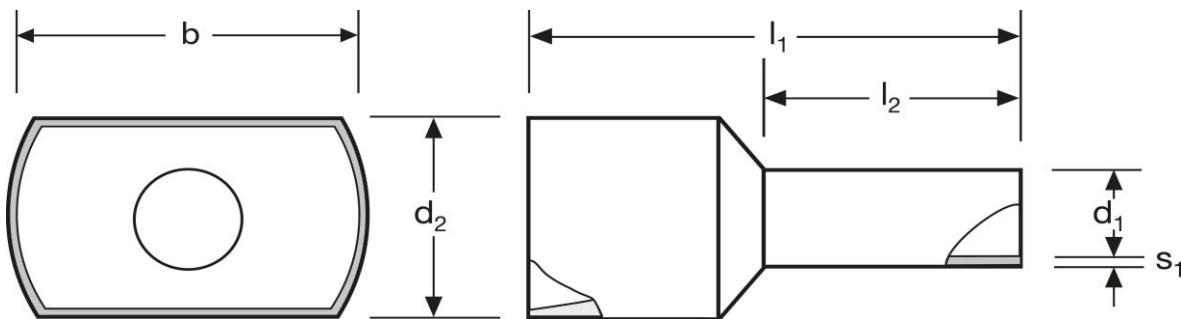


		Material	Isolation		
		E-Cu, gal. Sn	PA	0,125 / 1000	500
		l <sub>1</sub>	l <sub>2</sub>	d <sub>1</sub>	s <sub>1</sub>
in mm:		14,7	8	1,8	0,15
		WE	TM	DIN	
d <sub>2</sub>	b	A 262081	A 262082	A 262083	
3,0	5,5	weiß	hellblau	grau	

Stand: 08.11.2016

## Twin cord end - sleeves

2 x 0,75 mm<sup>2</sup> N



		material	insulation		
		E-Cu, gal. Sn	PA	0,125 / 1000	500
		l <sub>1</sub>	l <sub>2</sub>	d <sub>1</sub>	s <sub>1</sub>
in mm:		14,7	8	1,8	0,15
		WE	TM	DIN	
d <sub>2</sub>	b	A 262081	A 262082	A 262083	
3,0	5,5	white	lightblue	grey	

date: 08.11.2016