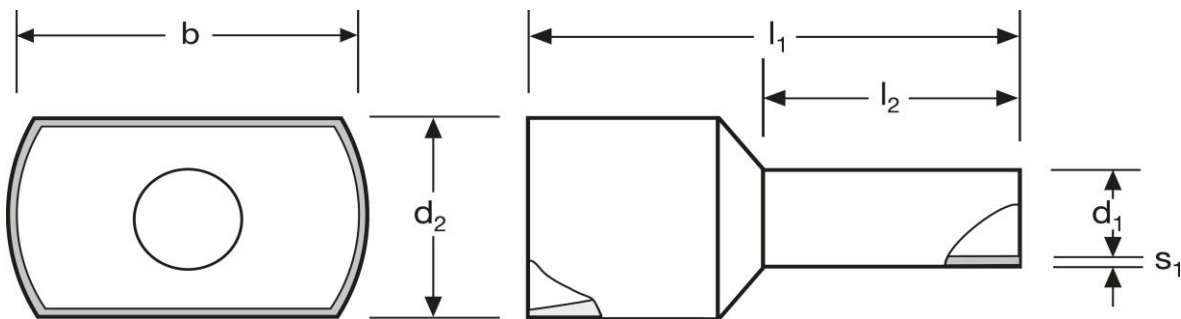
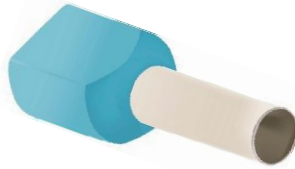


Twin - Aderendhülsen 2 x 0,75 mm² N



Material	Isolation		
E-Cu, gal. Sn	PP	0,125 / 1000	500

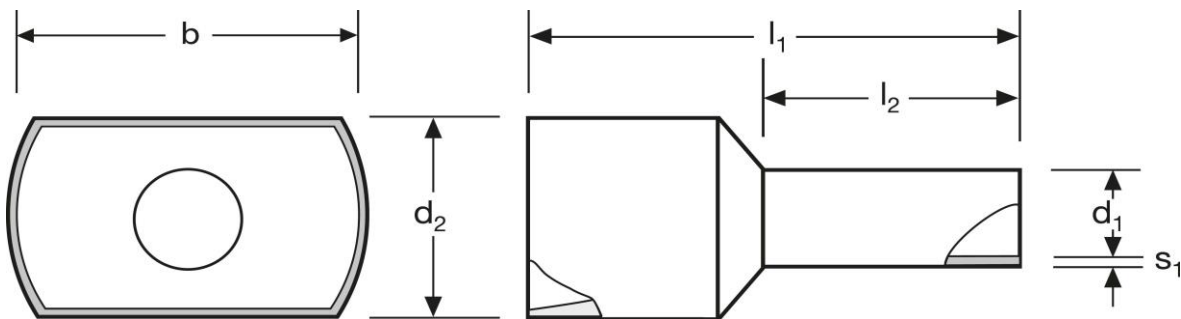
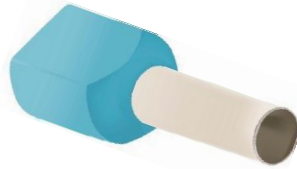
	l_1	l_2	d_1	s_1
in mm:	15,0	8	1,7	0,15

		WE	TM	DIN
d_2	b	A 262081M	A 262082M	A 262083M
2,8	5,0	weiß 	hellblau 	grau

Stand: 14.01.2019

Twin cord end - sleeves

2 x 0,75 mm² N



material	insulation		
E-Cu, gal. Sn	PP	0,125 / 1000	500

	l_1	l_2	d_1	s_1
in mm:	15,0	8	1,7	0,15

		WE	TM	DIN
d_2	b	A 262081M	A 262082M	A 262083M
2,8	5,0	white 	lightblue 	grey

date: 14.01.2019