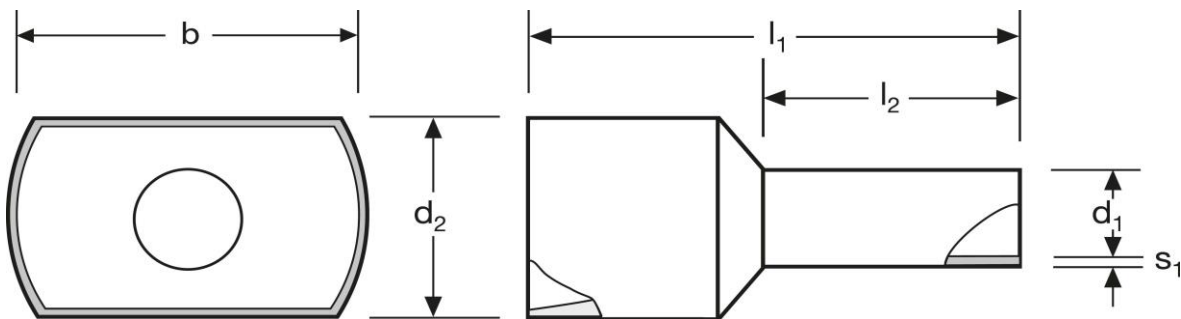
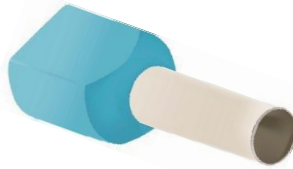


Twin - Aderendhülsen 2 x 0,75 mm² N



Material	Isolation		
E-Cu, gal. Sn	PP	0,125 / 1000	500

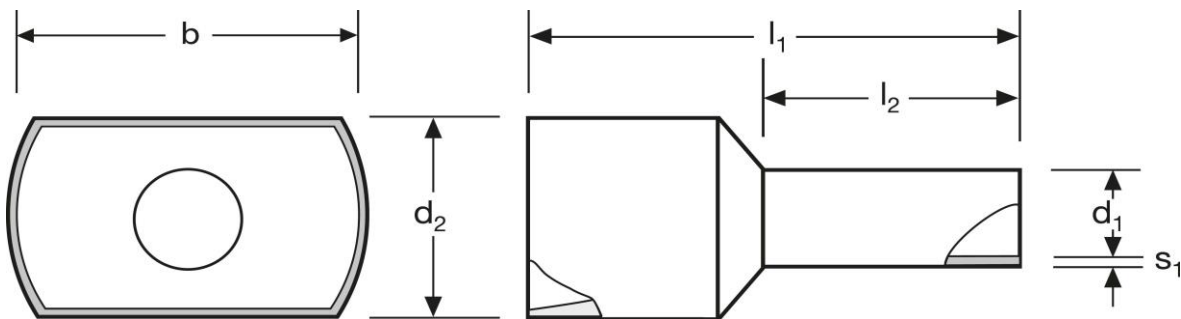
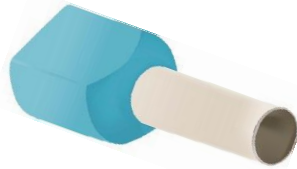
	l_1	l_2	d_1	s_1
in mm:	14,0	8	1,7	0,15

		WE	TM	DIN
d_2	b	A262081M2	A262082M2	A262083M2
3,0	5,5	weiß 	hellblau 	grau

Stand: 17.01.2019

Twin cord end - sleeves

2 x 0,75 mm² N



material	insulation		
E-Cu, gal. Sn	PP	0,125 / 1000	500

	l_1	l_2	d_1	s_1
in mm:	14,0	8	1,7	0,15

		WE	TM	DIN
d_2	b	A262081M2	A262082M2	A262083M2
3,0	5,5	white 	lightblue 	grey

date: 17.01.2019