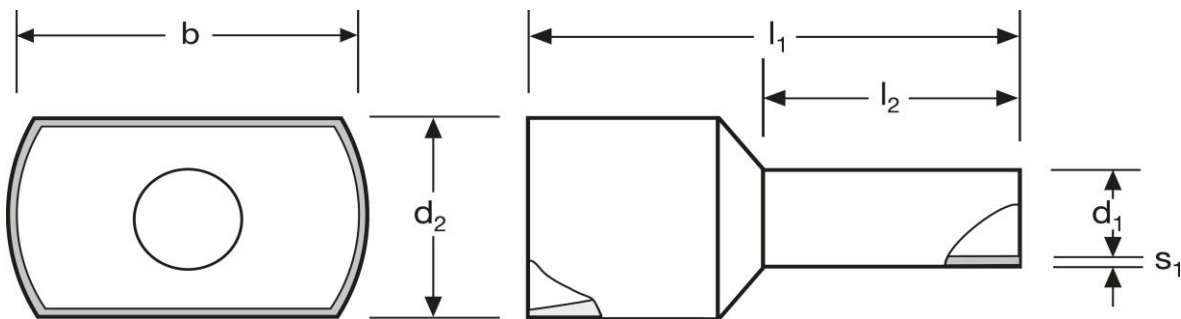
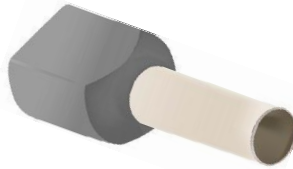


## Twin - Aderendhülsen 2 x 0,75 mm<sup>2</sup> N



Material	Isolation		
E-Cu, gal. Sn	PP	0,125 / 1000	500

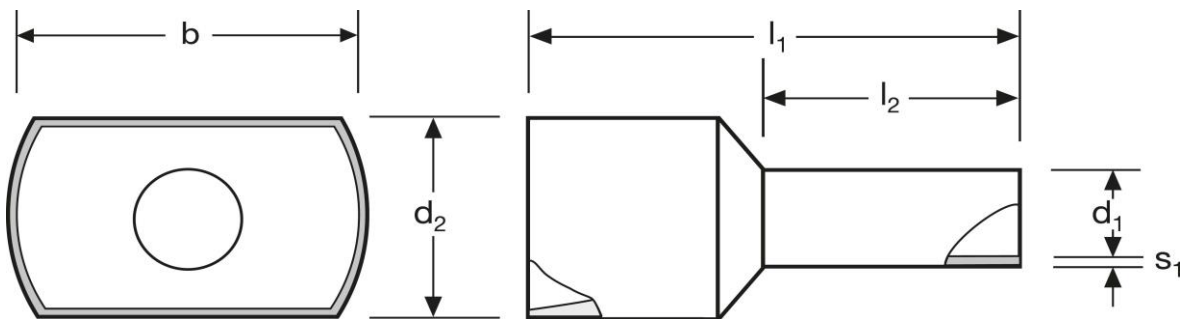
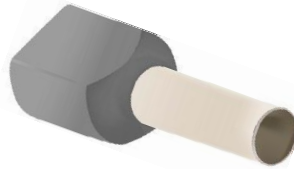
	$l_1$	$l_2$	$d_1$	$s_1$
in mm:	14,0	8	1,7	0,15

		WE	TM	DIN
$d_2$	$b$	A262081M2	A262082M2	A262083M2
3,0	5,5	weiß 	hellblau 	grau 

Stand: 17.01.2019

## Twin cord end - sleeves

2 x 0,75 mm<sup>2</sup> N



material	insulation		
E-Cu, gal. Sn	PP	0,125 / 1000	500

	$l_1$	$l_2$	$d_1$	$s_1$
in mm:	14,0	8	1,7	0,15

		WE	TM	DIN
$d_2$	$b$	A262081M2	A262082M2	A262083M2
3,0	5,5	white 	lightblue 	grey 

date: 17.01.2019