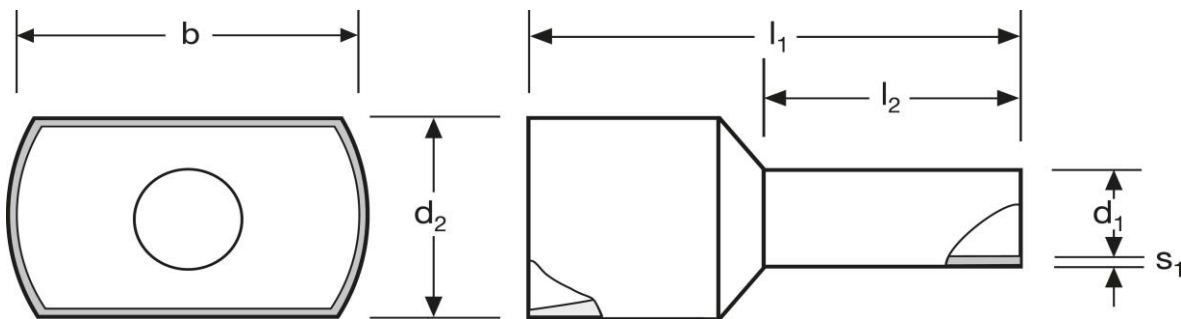
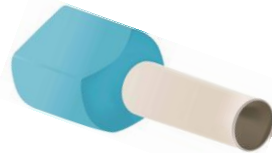


## Twin - Aderendhülsen

2 x 0,75 mm<sup>2</sup> XL

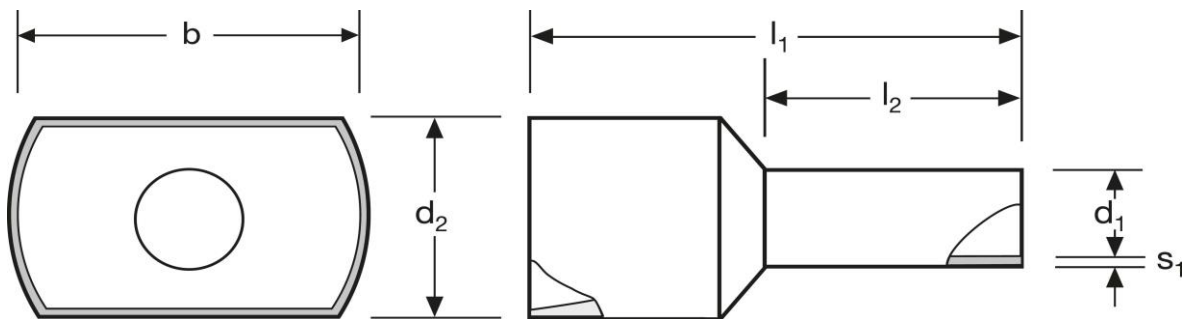
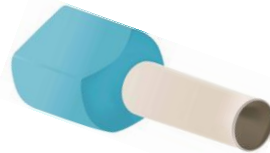


		Material	Isolation		
		E-Cu, gal. Sn	PA	0,180 / 1000	500
		l <sub>1</sub>	l <sub>2</sub>	d <sub>1</sub>	s <sub>1</sub>
<b>in mm:</b>		18,0	12	1,8	0,15
		WE	TM	DIN	
d <sub>2</sub>	b	A 262121	A 262122	A 262123	
3,0	5,4	weiß	hellblau	grau	

Stand: 08.11.2016

## Twin cord end - sleeves

2 x 0,75 mm<sup>2</sup> XL



		material	insulation		
		E-Cu, gal. Sn	PA	0,180 / 1000	500
		l <sub>1</sub>	l <sub>2</sub>	d <sub>1</sub>	s <sub>1</sub>
in mm:		18,0	12	1,8	0,15
		WE	TM	DIN	
d <sub>2</sub>	b	A 262121	A 262122	A 262123	
3,0	5,4	white	lightblue	grey	

date: 08.11.2016