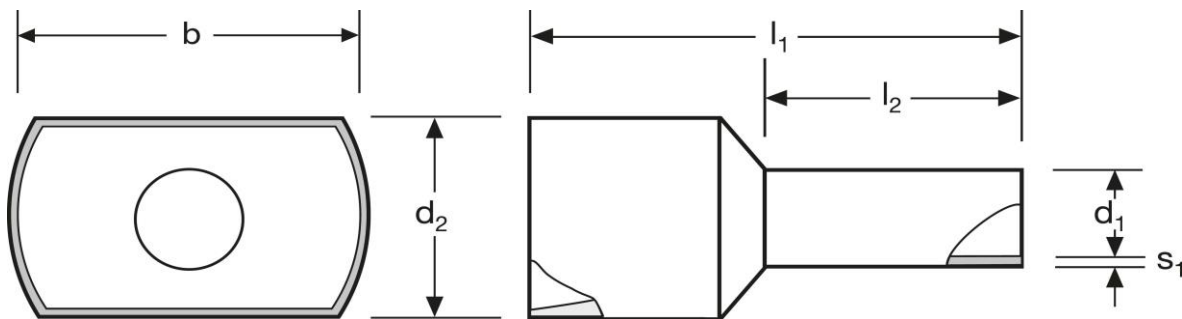
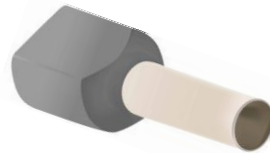


## Twin - Aderendhülsen

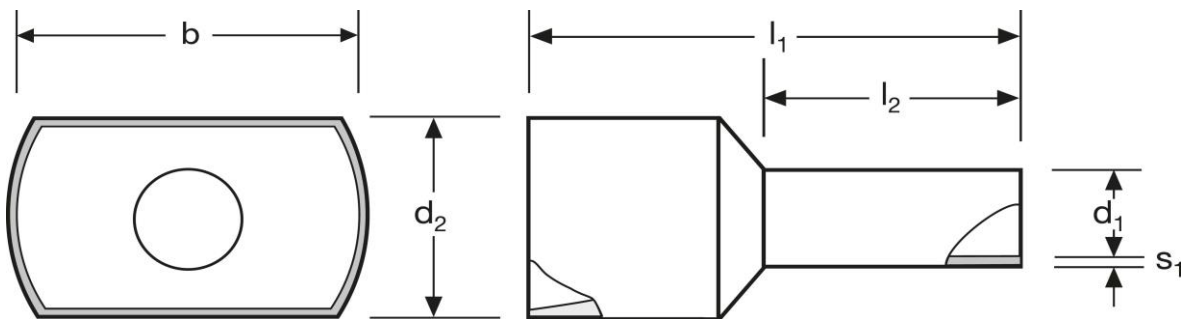
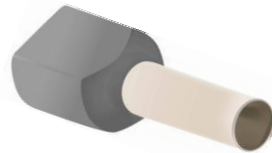
2 x 0,75 mm<sup>2</sup> XL



		Material	Isolation		
		E-Cu, gal. Sn	PP	0,180 / 1000	500
		$l_1$	$l_2$	$d_1$	$s_1$
in mm:		18,0	12	1,8	0,15
		WE	TM	DIN	
$d_2$	$b$	A 262121	A 262122	A 262123	
3,0	5,4	weiß	hellblau	grau	

Stand: 08.11.2016

## Twin - Cord end - sleeves 2 x 0,75 mm<sup>2</sup> XL



		material	insulation		
		E-Cu, gal. Sn	PP	0,180 / 1000	500
		l <sub>1</sub>	l <sub>2</sub>	d <sub>1</sub>	s <sub>1</sub>
in mm:		18,0	12	1,8	0,15
		WE	TM	DIN	
d <sub>2</sub>	b	A 262121	A 262122	A 262123	
3,0	5,4	white	lightblue	grey	

date: 08.11.2016