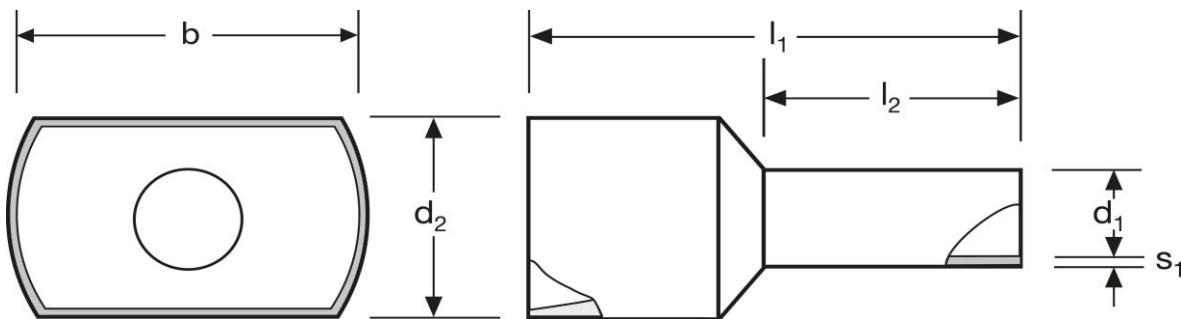
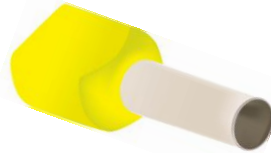


Twin cord end - sleeves

2 x 1 mm² N



material	insulation		
E-Cu, gal. Sn	PA	0,143 / 1000	500

	l_1	l_2	d_1	s_1
in mm:	15,1	8	2,1	0,15

	d_2	b	WE	TM	DIN
	3,2	5,5	A 263081	A 263082	A 263083
			yellow	red	red

date: 08.11.2016