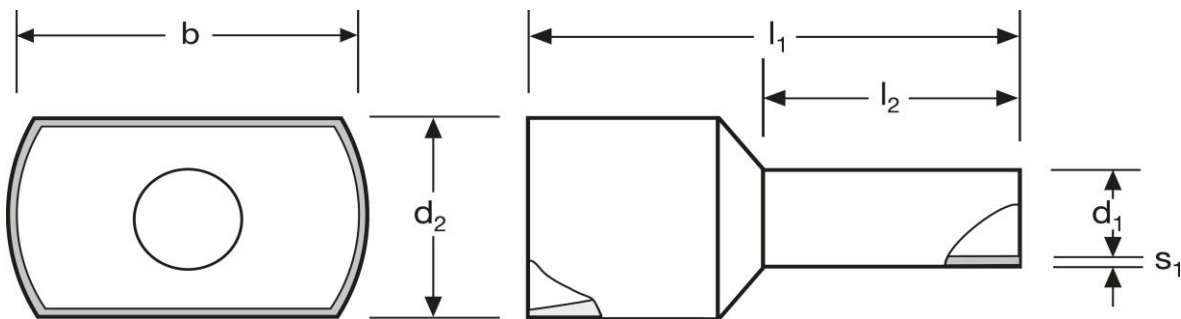
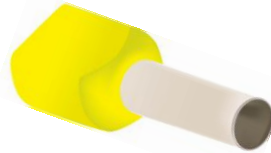


Twin - Aderendhülsen 2 x 1 mm² N



Material	Isolation		
E-Cu, gal. Sn	PP	0,143 / 1000	500

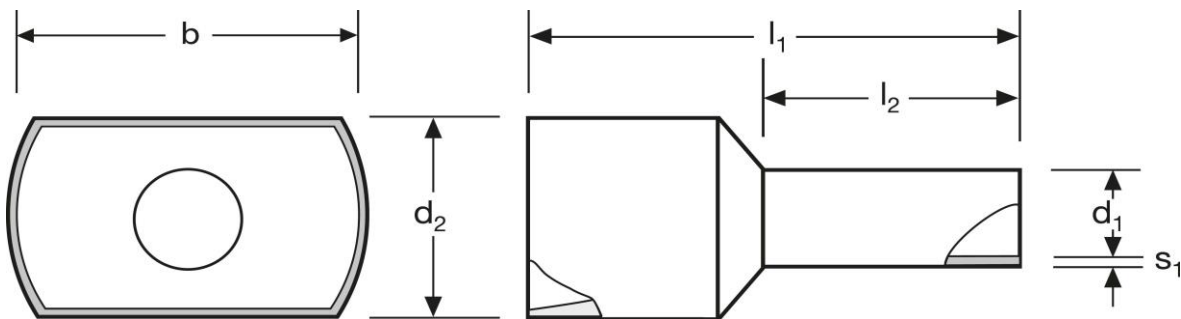
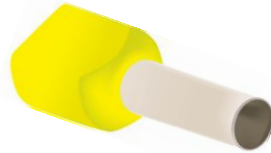
	l_1	l_2	d_1	s_1
in mm:	15,0	8	1,95	0,15

		WE	TM	DIN
d_2	b	A 263081M	A 263082M	A 263083M
3,4	5,4	gelb 	rot 	rot

Stand: 14.01.2019

Twin cord end - sleeves

2 x 1 mm² N



material	insulation		
E-Cu, gal. Sn	PP	0,143 / 1000	500

	l_1	l_2	d_1	s_1
in mm:	15,0	8	1,95	0,15

		WE	TM	DIN
d_2	b	A 263081M	A 263082M	A 263083M
3,4	5,4	yellow 	red 	red

date: 14.01.2019