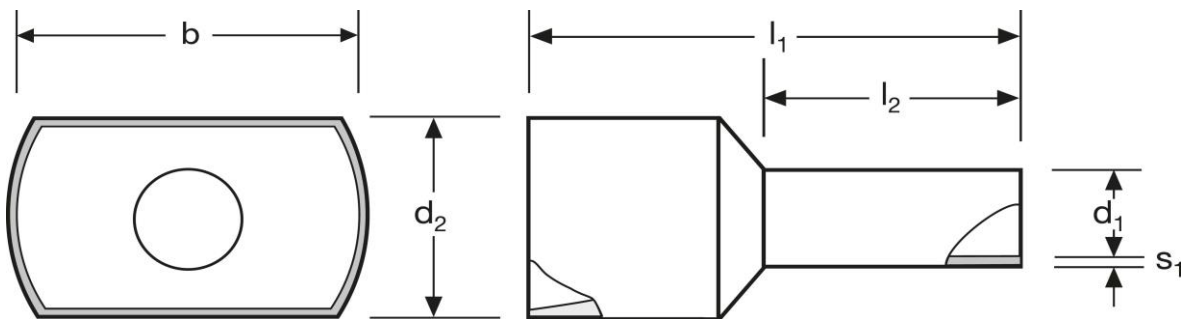
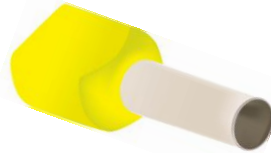


Twin cord end - sleeves

2 x 1 mm² L



		material	insulation		
		E-Cu, gal. Sn	PA	0,166 / 1000	500
		l ₁	l ₂	d ₁	s ₁
in mm:		17,1	10	2,1	0,15
		WE	TM	DIN	
d ₂	b	A 263101	A 263102	A 263103	
3,2	5,5	yellow	red	red	

date: 08.11.2016