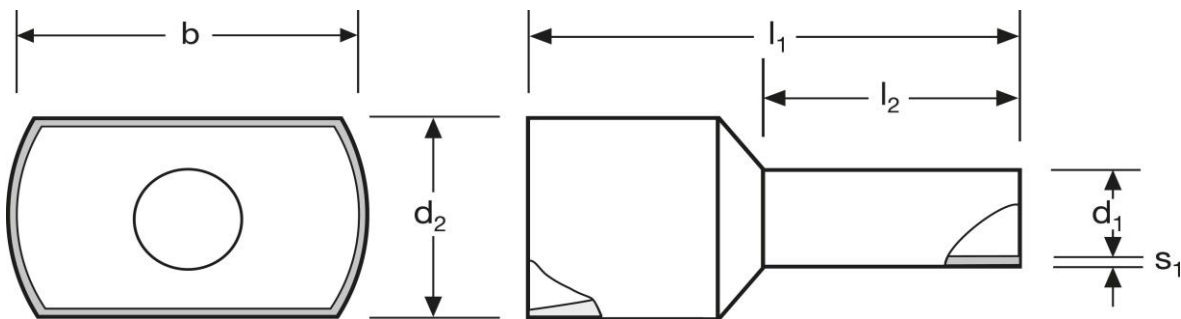
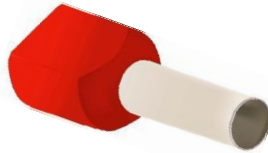


## Twin - Aderendhülsen 2 x 1 mm<sup>2</sup> L



Material	Isolation		
E-Cu, gal. Sn	PP	0,166 / 1000	500

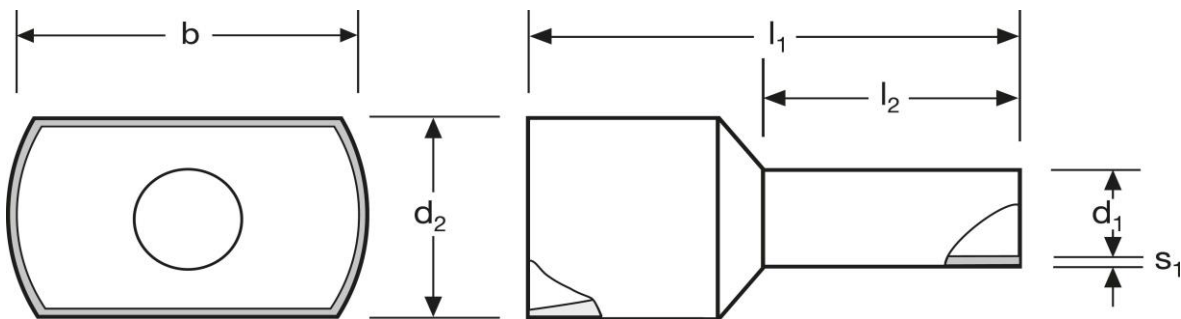
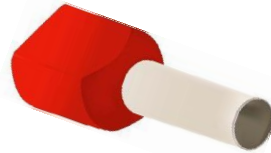
	$l_1$	$l_2$	$d_1$	$s_1$
in mm:	17,0	10	1,95	0,15

		WE	TM	DIN
$d_2$	$b$	A 263101M	A 263102M	A 263103M
3,4	5,4	gelb 	rot 	rot 

Stand: 14.01.2019

## Twin cord end - sleeves

2 x 1 mm<sup>2</sup> L



material	insulation		
E-Cu, gal. Sn	PP	0,166 / 1000	500

	$l_1$	$l_2$	$d_1$	$s_1$
in mm:	17,0	10	1,95	0,15

		WE	TM	DIN
$d_2$	$b$	A 263101M	A 263102M	A 263103M
3,4	5,4	yellow 	red 	red 

date: 14.01.2019