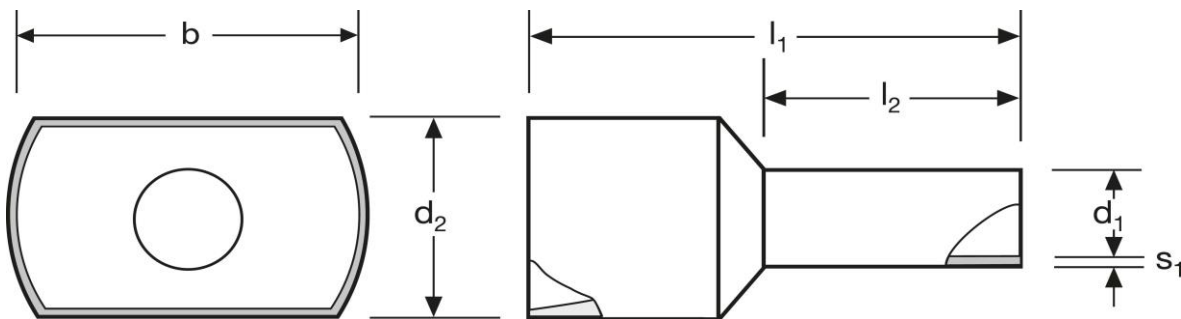


## Twin - Aderendhülsen

2 x 1,5 mm<sup>2</sup> N

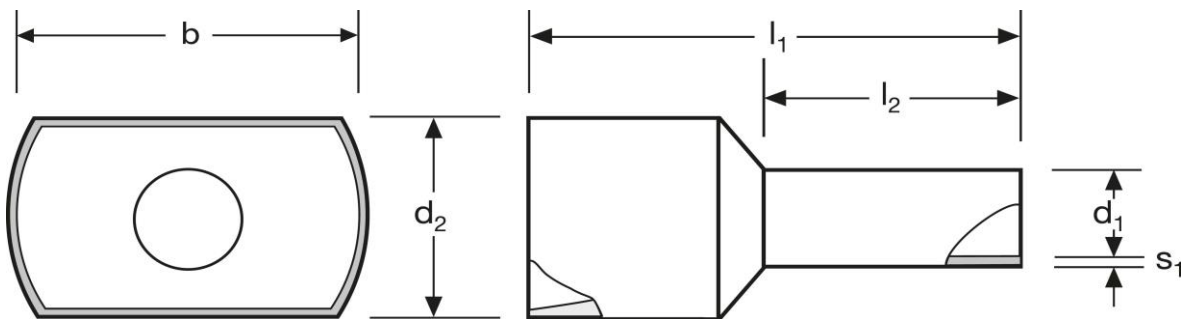
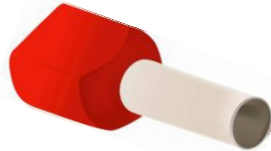


		Material	Isolation		
		E-Cu, gal. Sn	PA	0,174 / 1000	500
		l <sub>1</sub>	l <sub>2</sub>	d <sub>1</sub>	s <sub>1</sub>
in mm:		15,5	8	2,3	0,15
		WE	TM	DIN	
d <sub>2</sub>	b	A 264081	A 264082	A 264083	
3,4	6,4	rot	schwarz	schwarz	

Stand: 08.11.2016

## Twin cord end - sleeves

2 x 1,5 mm<sup>2</sup> N



		<b>material</b>	<b>insulation</b>		
		E-Cu, gal. Sn	PA	0,174 / 1000	500
			<b>l<sub>1</sub></b>	<b>l<sub>2</sub></b>	<b>d<sub>1</sub></b>
	<b>in mm:</b>		15,5	8	2,3
					<b>s<sub>1</sub></b>
					0,15
			<b>WE</b>	<b>TM</b>	<b>DIN</b>
	<b>d<sub>2</sub></b>	<b>b</b>	A 264081	A 264082	A 264083
	3,4	6,4	red	black	black

date: 08.11.2016