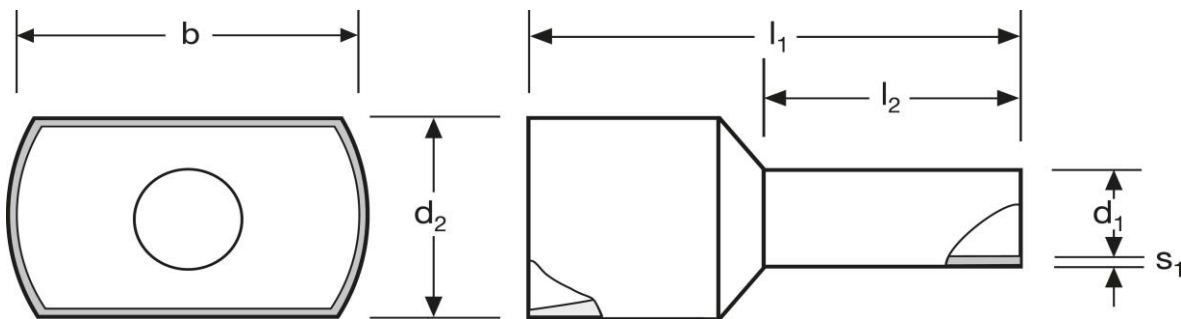


## Twin - Aderendhülsen 2 x 4 mm<sup>2</sup> N

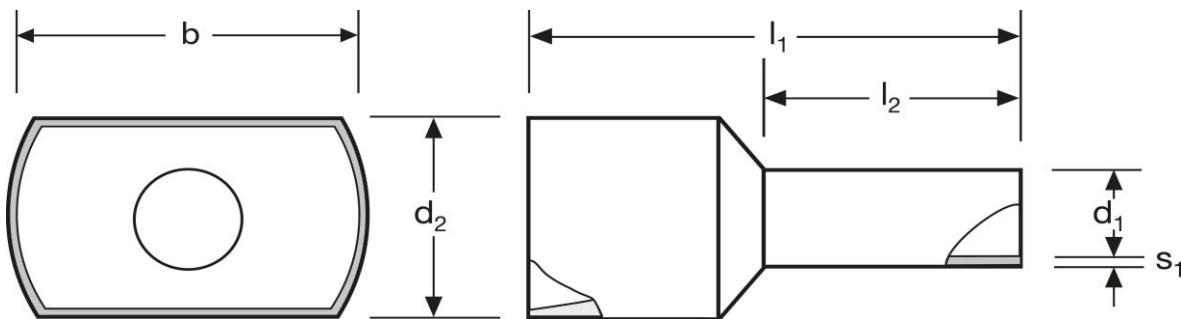


		Material	Isolation		
		E-Cu, gal. Sn	PA	0,481 / 1000	100
		l <sub>1</sub>	l <sub>2</sub>	d <sub>1</sub>	s <sub>1</sub>
in mm:		23,1	12	3,8	0,2
		WE	TM	DIN	
d <sub>2</sub>	b	A 266121	A 266122	A 266123	
5,0	8,8	grau	orange	grau	

Stand: 08.11.2016

## Twin cord end - sleeves

2 x 4 mm<sup>2</sup> N



		material	insulation		
		E-Cu, gal. Sn	PA	0,481 / 1000	100
		$l_1$	$l_2$	$d_1$	$s_1$
in mm:		23,1	12	3,8	0,2
$d_2$	$b$	WE	TM	DIN	
5,0	8,8	A 266121	A 266122	A 266123	
		grey	orange	grey	

date: 08.11.2016