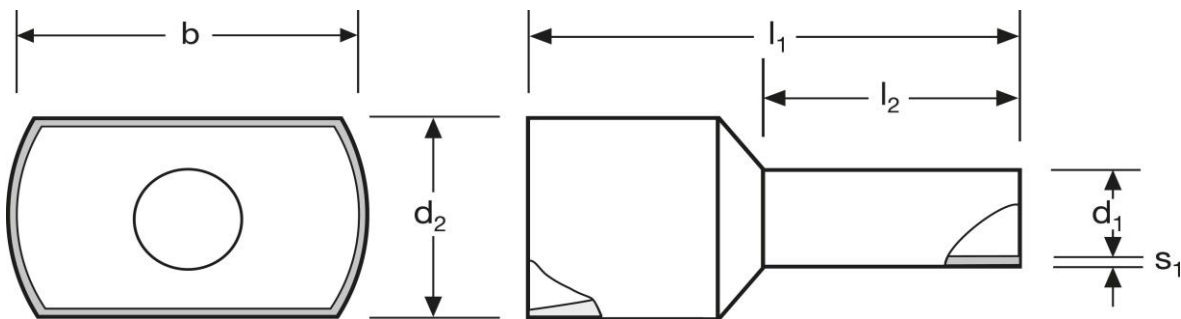






Twin - Aderendhülsen 2 x 10 mm² L



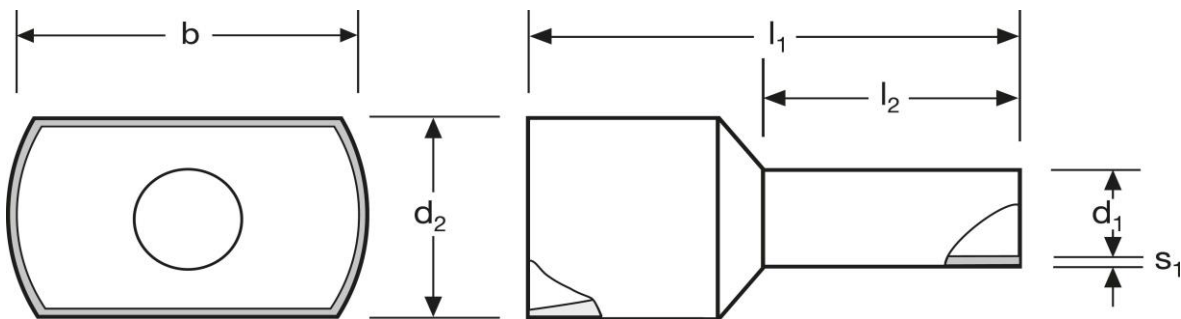
Material	Isolation	
E-Cu, gal. Sn	PP	100

	l_1	l_2	d_1	s_1
in mm:	30,0	18,0	5,8	0,2

		WE	TM	DIN
d_2	b	A268181M2	A268182M2	A268183M2
7,6	13,4	elfenbein 	braun 	rot 

Stand: 22.01.2019

Twin cord end - sleeves 2 x 10 mm² L



material	insulation	
E-Cu, gal. Sn	PP	100

	l_1	l_2	d_1	s_1
in mm:	30,0	18,0	5,8	0,2

		WE	TM	DIN
d_2	b	A268181M2	A268182M2	A268183M2
7,6	13,4	ivory 	brown 	red

date: 22.01.2019