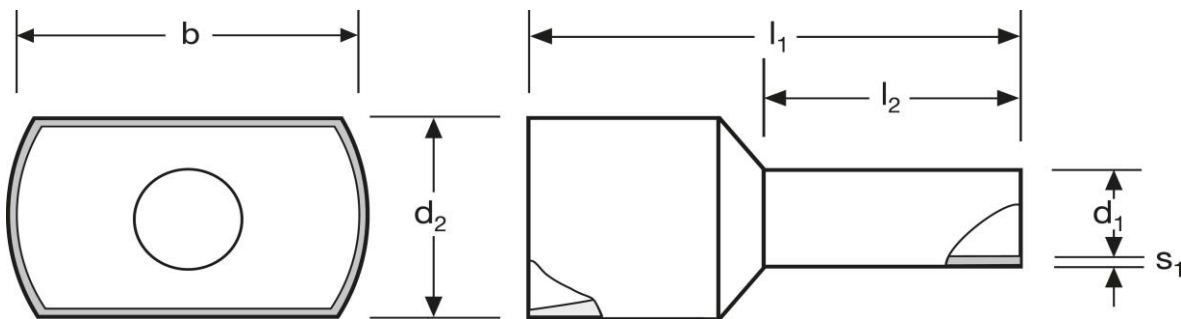


## Twin - Aderendhülsen 2 x 16 mm<sup>2</sup> N

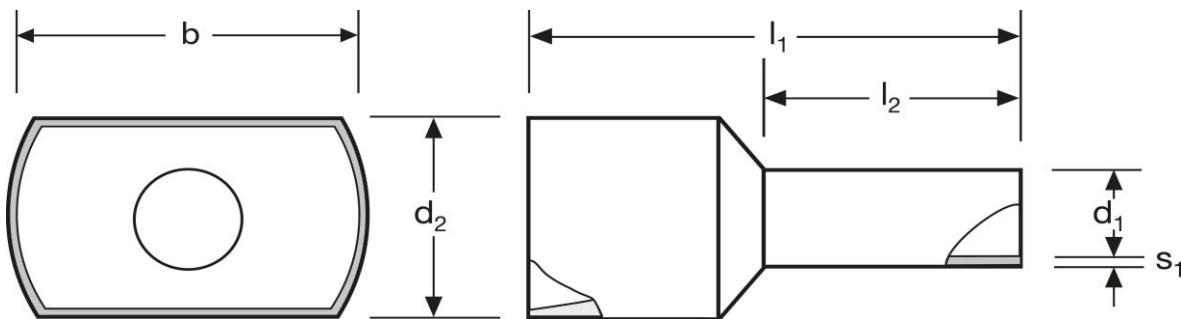


		Material	Isolation		
		E-Cu, gal. Sn	PA	1,221 / 1000	50
		l <sub>1</sub>	l <sub>2</sub>	d <sub>1</sub>	s <sub>1</sub>
in mm:		31,3	14	8,3	0,2
		WE	TM	DIN	
d <sub>2</sub>	b	A 269141	A 269142	A 269143	
9,7	19,0	grün 	weiß 	blau 	

Stand: 08.11.2016

## Twin cord end - sleeves

2 x 16 mm<sup>2</sup> N



		material	insulation		
		E-Cu, gal. Sn	PA	1,221 / 1000	50
		$l_1$	$l_2$	$d_1$	$s_1$
in mm:		31,3	14	8,3	0,2
		WE	TM	DIN	
$d_2$	$b$	A 269141	A 269142	A 269143	
9,7	19,0	green 	white 	blue 	

date: 08.11.2016