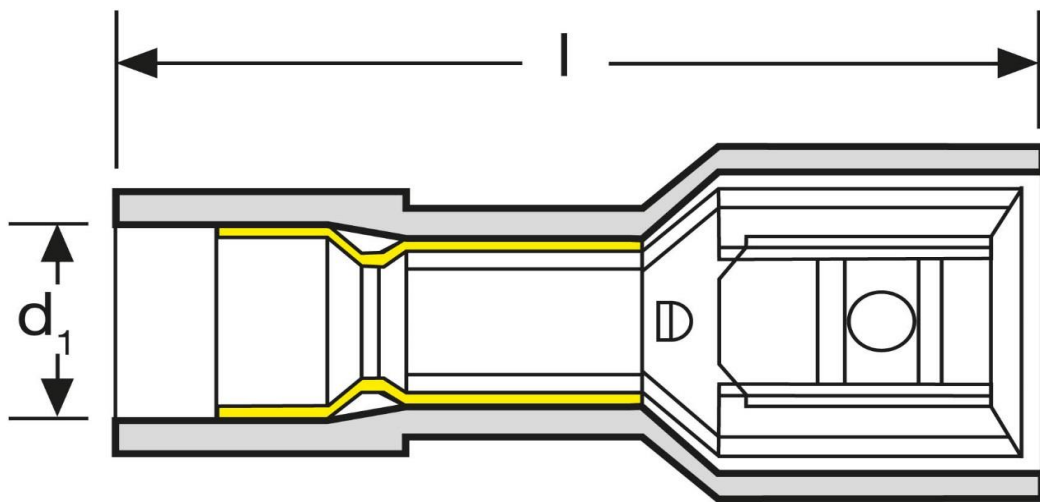



**Flachsteckhülsen**  
vollisoliert  
2,5 mm<sup>2</sup>  
blau

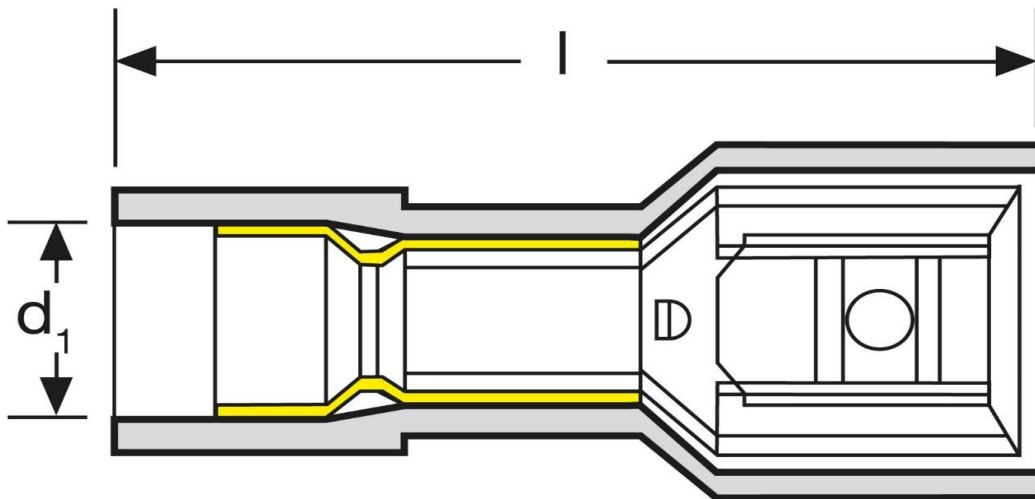



| Art.Nr.   | Werkstoff        | Isolation  |  |
|-----------|------------------|------------|---|
| F 611638N | Ms, E-Cu gal. Sn | PA transp. | 500   |

|        | l    | d <sub>1</sub> | s   | Steckgröße |
|--------|------|----------------|-----|------------|
| in mm: | 22,0 | 5,0            | 0,4 | 6,3 - 0,8  |

Stand: 15.03.2020

**Female disonnects**  
fully insulate  
2,5 mm<sup>2</sup>  
blue



|  |                 |                  |                      |   |                 |
|--|-----------------|------------------|----------------------|---|-----------------|
|  | <b>part no.</b> | <b>material</b>  | <b>insulation</b>    |  |                 |
|  | F 611638N       | Ms, E-Cu gal. Sn | PA transp.           | 500   |                 |
|  |                 | <b>l</b>         | <b>d<sub>1</sub></b> | <b>s</b>  | <b>tab-size</b> |
|  | <b>in mm:</b>   | 22,0             | 5,0                  | 0,4   | 6,3 - 0,8       |

date: 15.03.2020