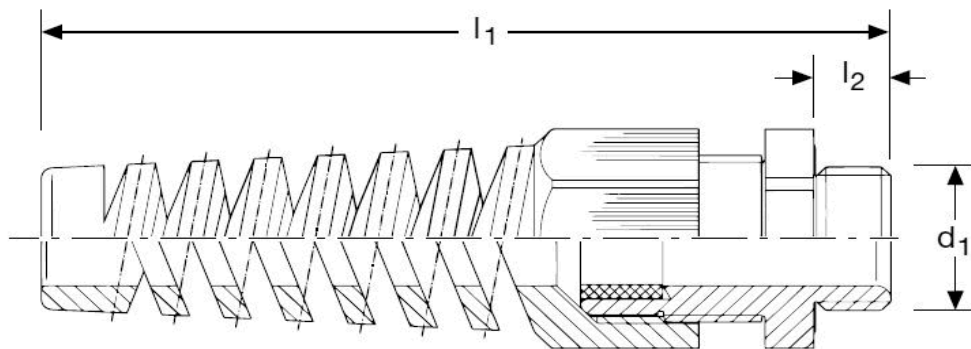




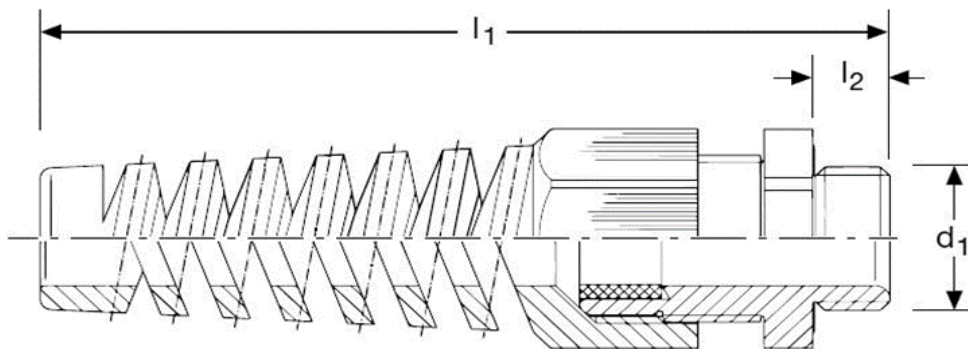
## Kabelverschraubung G50 mit flexibler Biegeschutzspirale PG 21 N





<b>Art. Nr.</b>	<b>Material</b>	<b>Nenngröße</b>	
<b>G850210.1</b>	<b>Polyamid</b>	<b>PG 21 N</b>	<b>25</b>
	<b>d<sub>1</sub></b>	<b>l<sub>1</sub></b>	<b>l<sub>2</sub></b>
<b>in mm:</b>	<b>28,3</b>	<b>130,0</b>	<b>11</b>
<b>Farbe</b>	<b>Kabel Ø</b>		
<b>grau RAL7035</b>	<b>13 - 18</b>	<b>33</b>	

Stand: 28.10.2019

**cable-glands G50  
 with flexible spiral nozzle  
 PG 21 N**



<b>part no.</b>	<b>material</b>	<b>nom. size</b>	
G850210.1	polyamide	PG 21 N	25
	<b>d<sub>1</sub></b>	<b>l<sub>1</sub></b>	<b>l<sub>2</sub></b>
<b>in mm:</b>	28,3	130,0	11,0
<b>colour</b>	<b>cable Ø</b>		
grey - RAL 7035	13 - 18	33	

date: 28.10.2019