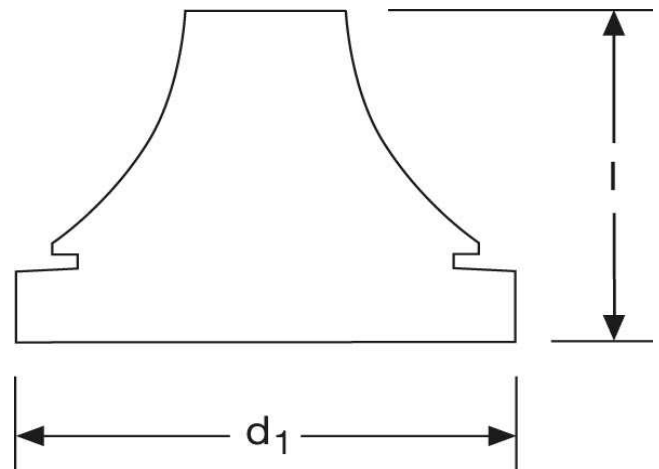
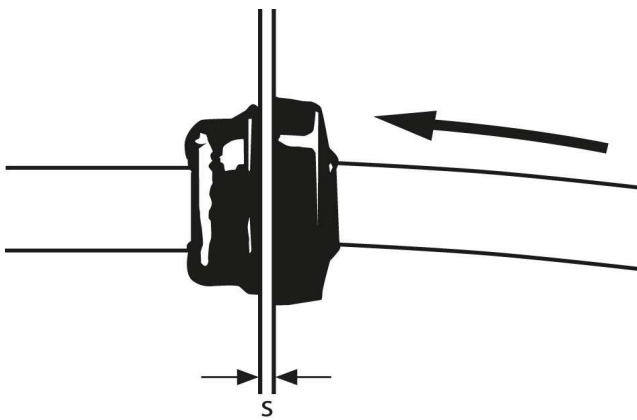

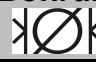
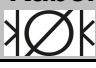


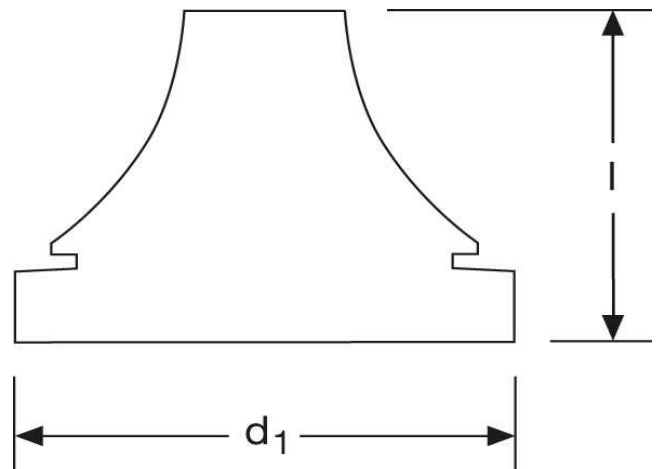
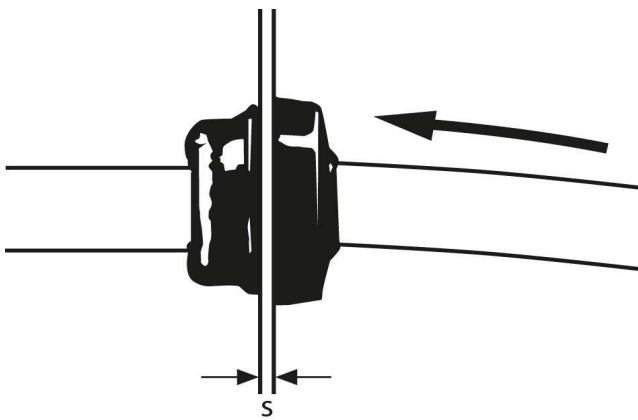
Kabeldurchführungen PG 36



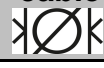


| Art.Nr. | Werkstoff | Temperaturbereich |  | | |
|------------|--|--------------------|--|------|----------------|
| G 8542635S | Chloroprenkautschuk | - 30°C bis + 100°C | 10 | | |
| | Bohrung  | s | Kabel  | l | d ₁ |
| in mm: | 48,0 | 1 - 4 | 26 - 35 | 34,9 | 58,0 |
| Farbe | RAL 9005 schwarz | | | | |

Stand: 29.09.2014

Sealing grommet PG 36



| | | | | | |
|--------------------|---|-----------------------------|---|-------------|----------------------|
| part number | material | temperature range |  | | |
| G 8542635S | Chloroprene rubber | - 30°C up to + 100°C | 10 | | |
| | borehole | s | cable | l | d₁ |
| |  | |  | | |
| in mm: | 48,0 | 1 - 4 | 26 - 35 | 34,9 | 58,0 |
| colour | RAL 9005 black | | | | |

date 29.09.2014