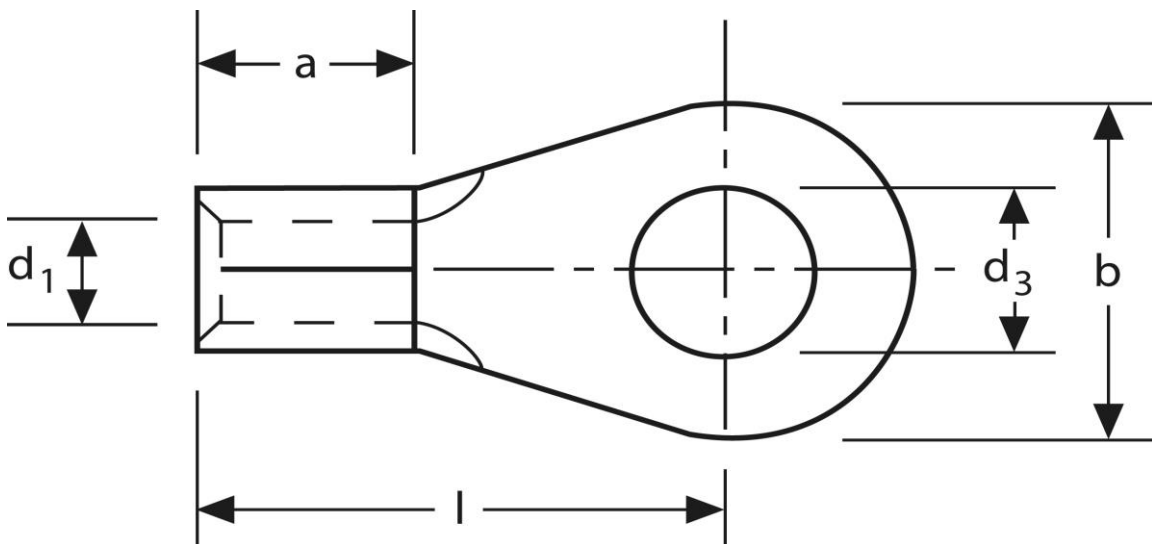


Quetschkabelschuhe

Ringform, vernickelt

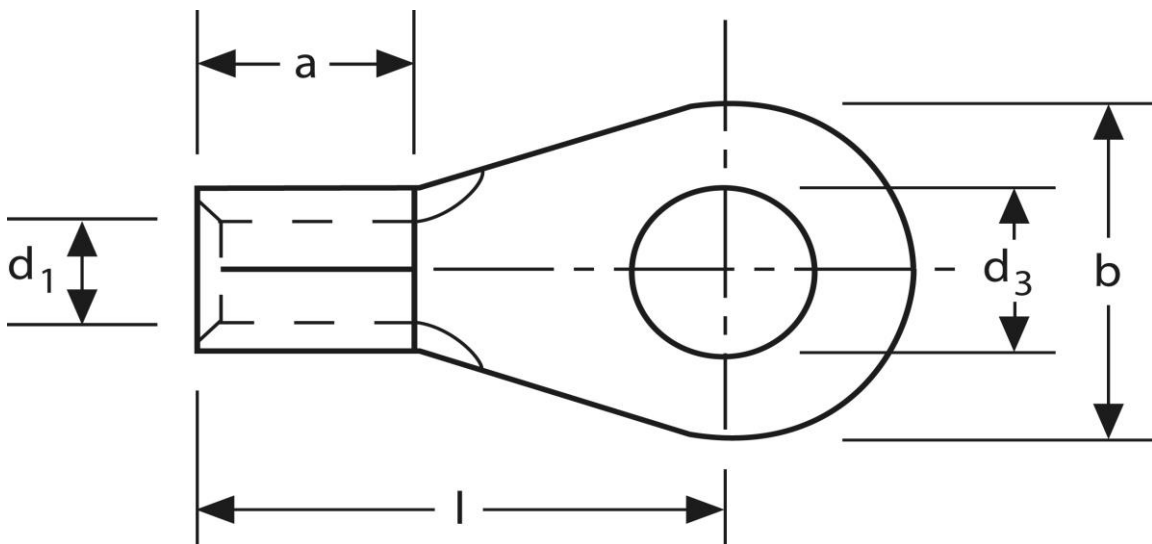
2,5 mm² M 4



| Art.Nr. | Werkstoff | Oberfläche | | |
|-----------|----------------|----------------|-------------|-------|
| K302040vn | E-CU | vernickelt | 0,78 / 1000 | 1.000 |
| | d ₃ | d ₁ | b | |
| in mm: | 4,3 | 2,3 | 8 | |
| | l | a | s | |
| in mm: | 12 | 5 | 0,8 | |

Stand: 22.01.2019

Solderless terminals
ring-type, nickel plated
2,5 mm² M 4



| part no. | material | surface | | |
|---------------|----------------------|----------------------|-------------|-------|
| K302040vn | E-CU | nickel | 0,78 / 1000 | 1.000 |
| | d₃ | d₁ | b | |
| in mm: | 4,3 | 2,3 | 8 | |
| | l | a | s | |
| in mm: | 12 | 5 | 0,8 | |

date: 22.01.2019