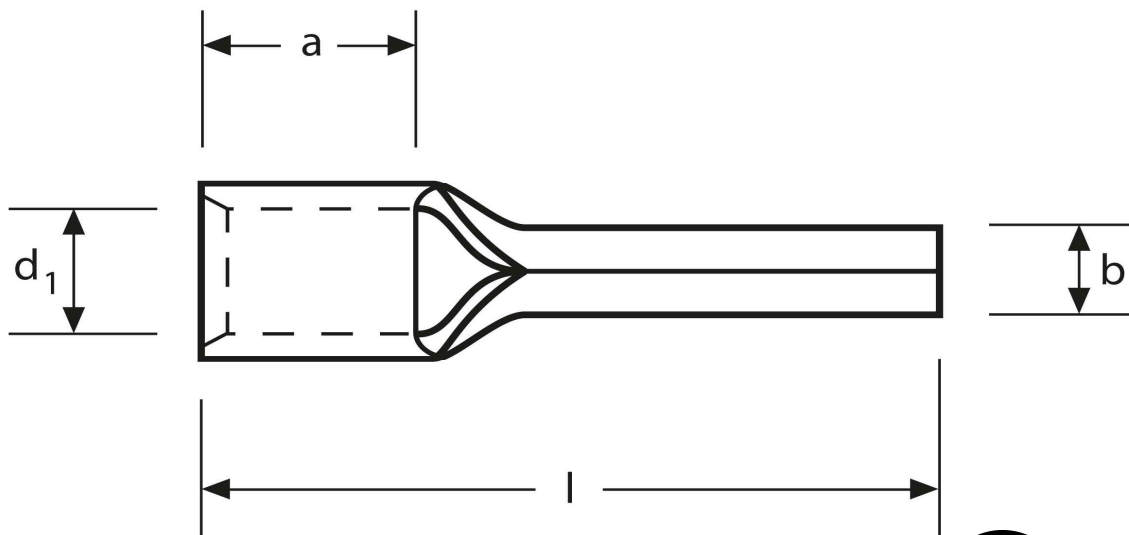
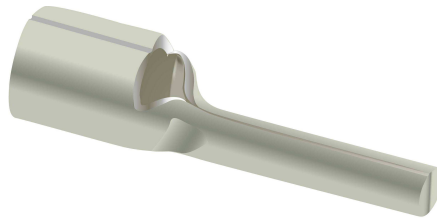


Quetschkabelschuhe

Stiftform - zylindrisch

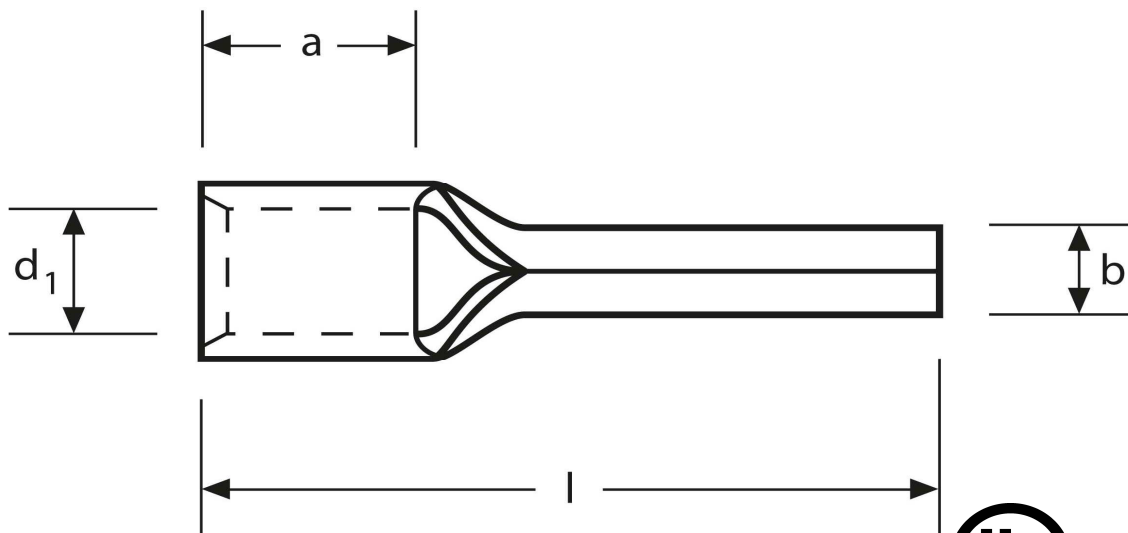
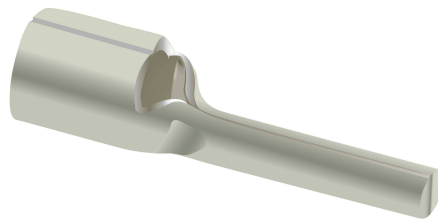
6 mm²



| Art.Nr. | Werkstoff | Oberfläche | | |
|---------------|------------|----------------------|-------------|-------|
| K 331006 | E-CU | galv. Sn | 1,60 / 1000 | 1.000 |
| | b | d₁ | l | |
| in mm: | 2,8 | 3,4 | 20,0 | |
| | a | s | | |
| in mm: | 6,0 | 1,00 | | |

Stand: 07.08.2014

Solderless terminals
 pin-type cylindric
 6 mm²



| part no. | material | surface | | |
|---------------|------------|----------------------|-------------|-------|
| K 331006 | E-CU | tin-plated | 1,60 / 1000 | 1.000 |
| | b | d₁ | l | |
| in mm: | 2,8 | 3,4 | 20,0 | |
| | a | s | | |
| in mm: | 6,0 | 1,00 | | |

date: 07.08.2014