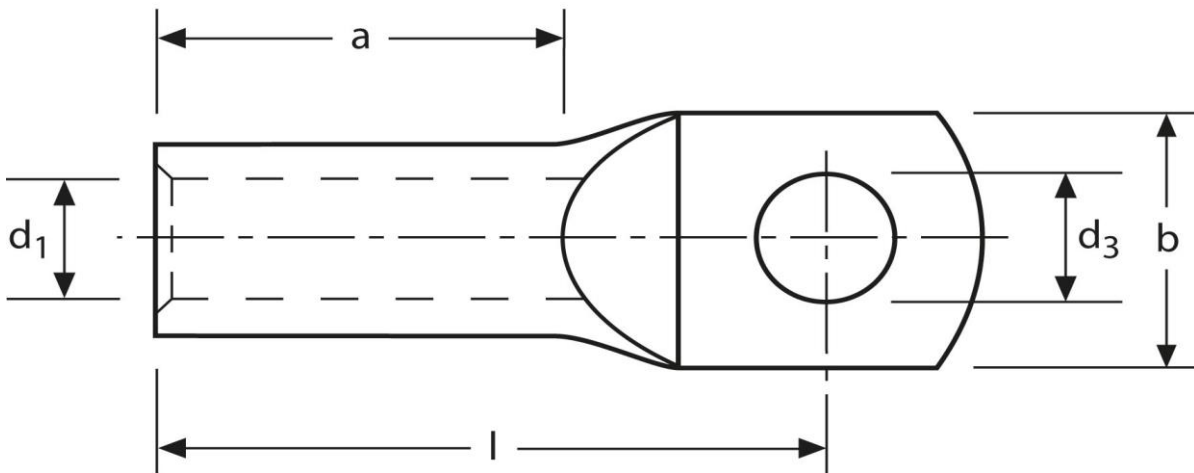


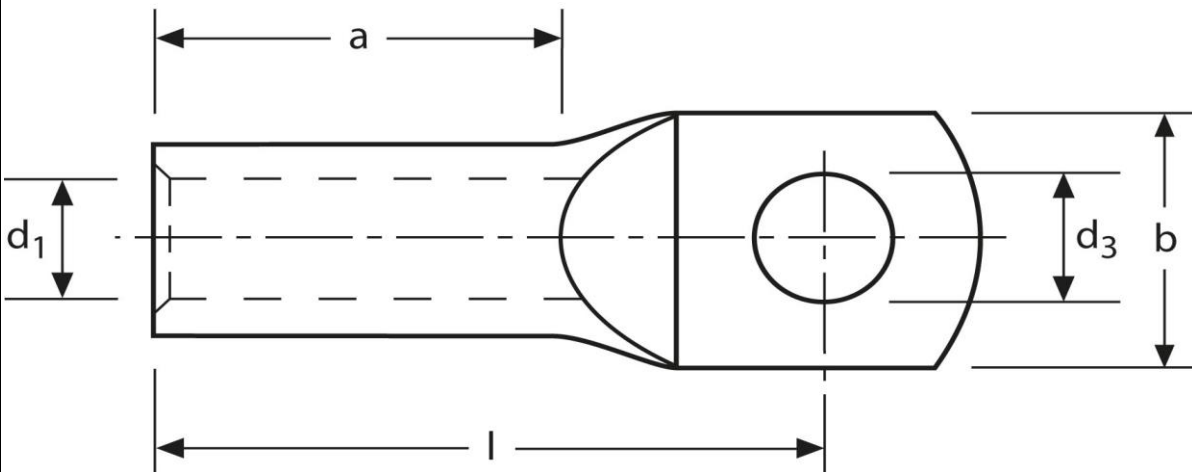
**Rohrkabelschuhe**  
handelsüblich, Typ KL  
16 mm<sup>2</sup> M6



Art.Nr.	Werkstoff	Oberfläche		
K337060.1	E-CU	galv. Sn	8,6/ 1000	100
	<b>d<sub>3</sub></b>	<b>d<sub>1</sub></b>	<b>b</b>	
<b>in mm:</b>	6,5	5,5	12,0	
	<b>l</b>	<b>a</b>		
<b>in mm:</b>	27,0	13		

Stand: 24.07.2018

**Tubular cable-lugs**  
 commercial, KL type  
 16 mm<sup>2</sup> M6



part no.	material	surface		
K337060.1	E-CU	tin-plated	8,6/ 1000	100
	<b>d<sub>3</sub></b>	<b>d<sub>1</sub></b>	<b>b</b>	
<b>in mm:</b>	6,5	5,5	12,0	
	<b>l</b>	<b>a</b>		
<b>in mm:</b>	27,0	13		

date: 24.07.2018