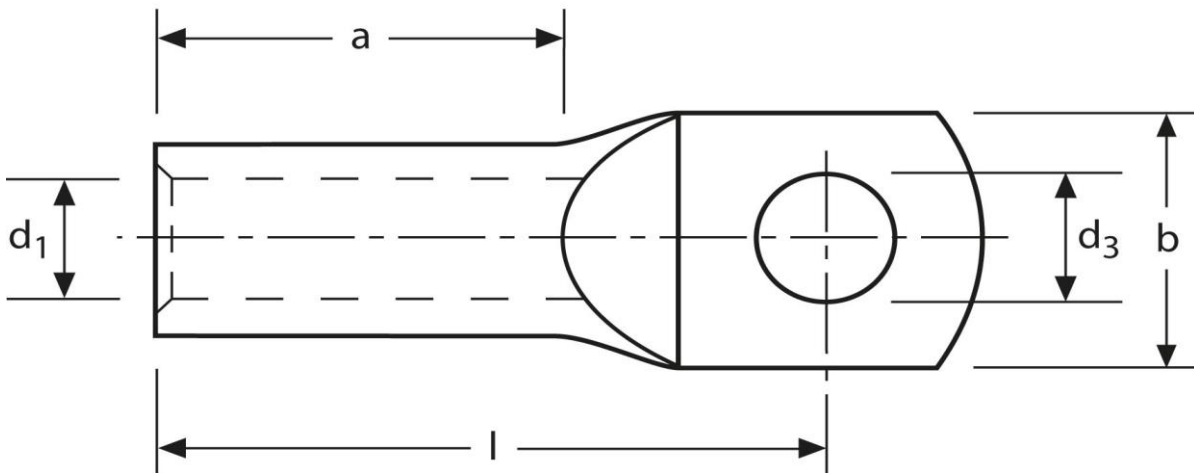


## Rohrkabelschuhe

handelsüblich

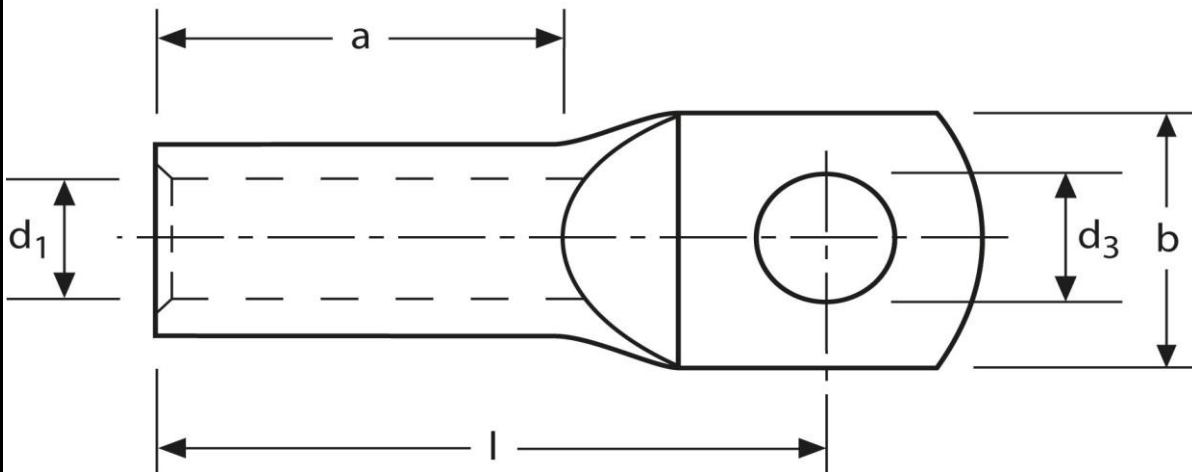
25 mm<sup>2</sup> M12



Art.Nr.	Werkstoff	Oberfläche		
K338120KL	E-CU	galv. Sn	13,9/ 1000	25
	<b>d<sub>3</sub></b>	<b>d<sub>1</sub></b>	<b>b</b>	
<b>in mm:</b>	13,0	7,0	19,0	
	<b>l</b>	<b>a</b>		
<b>in mm:</b>	35,0	15		

Stand: 13.11.2014

**Tubular cable-lugs**  
 commercial  
 25 mm<sup>2</sup> M12



part no.	material	surface		
K338120KL	E-CU	tin-plated	13,9/ 1000	25
	<b>d<sub>3</sub></b>	<b>d<sub>1</sub></b>	<b>b</b>	
<b>in mm:</b>	13,0	7,0	19,0	
	<b>l</b>	<b>a</b>		
<b>in mm:</b>	35,0	15		

date: 13.11.2014