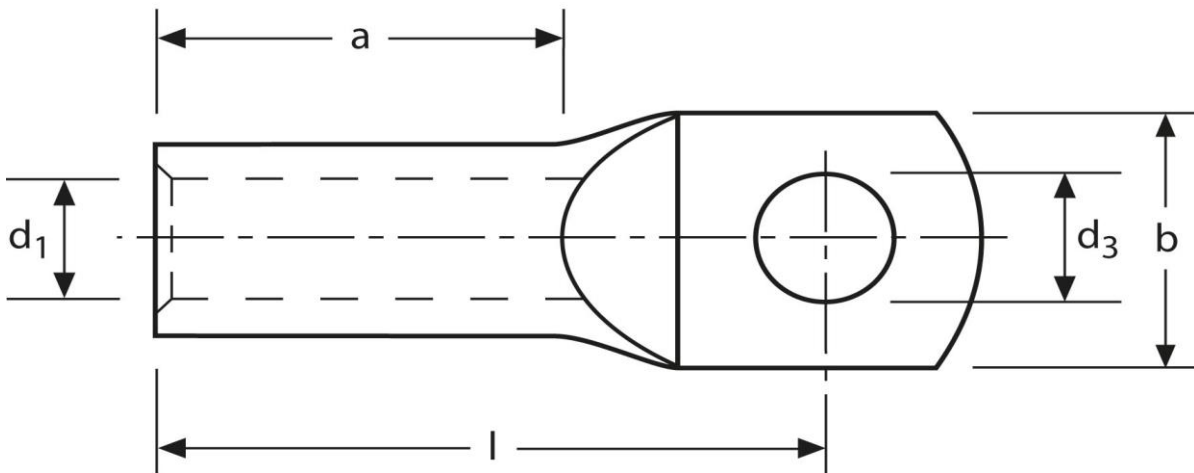


Rohrkabelschuhe

Edelstahl V2A

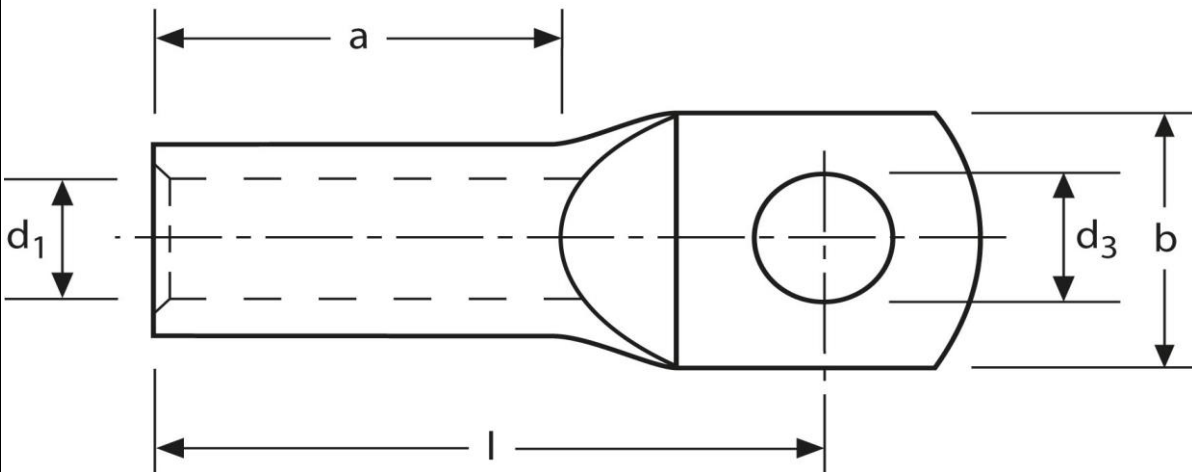
70 mm² M8



| Art.Nr. | Werkstoff | Typ | | |
|-----------|----------------|-------------------------|-------------|----|
| K341080St | Edelstahl | V2A | 36,5 / 1000 | 25 |
| | d ₃ | d ₁ | b | l |
| in mm: | 8,5 | 12,0 | 23,0 | 43 |
| | a | Temperaturbeständigkeit | | |
| | 21 mm | bis 400°C | | |

Stand: 13.09.2018

Tubular cable-lugs
stainless steel V2A
70 mm² M8



| part no. | material | type | | |
|---------------|----------------------|-------------------------------|-------------|----------|
| K341080St | stainl. steel | V2A | 36,5 / 1000 | 25 |
| | d₃ | d₁ | b | l |
| in mm: | 8,5 | 12,0 | 23,0 | 43 |
| | a | temperature resistance | | |
| | 21 mm | up to 400°C | | |

date: 13.09.2018