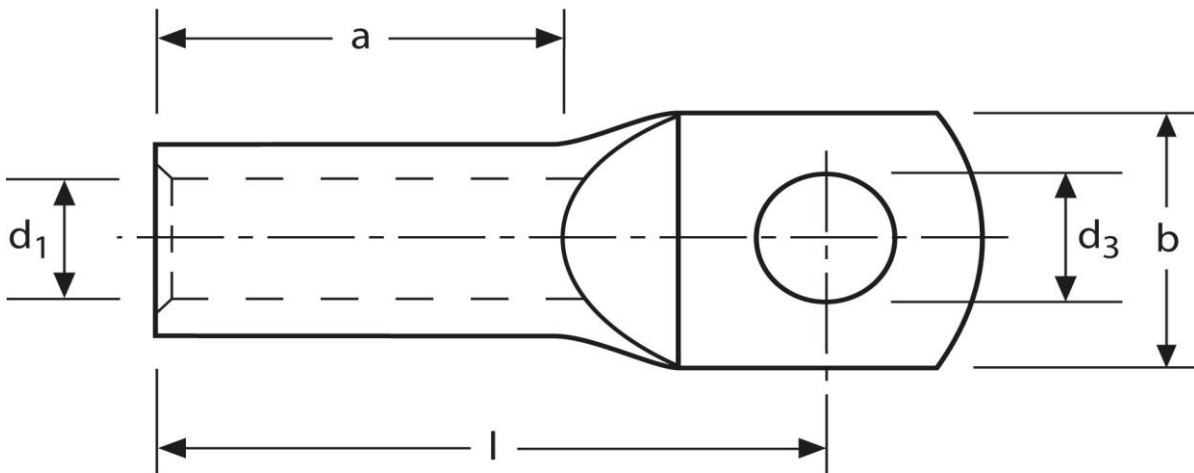


Rohrkabelschuhe

handelsüblich

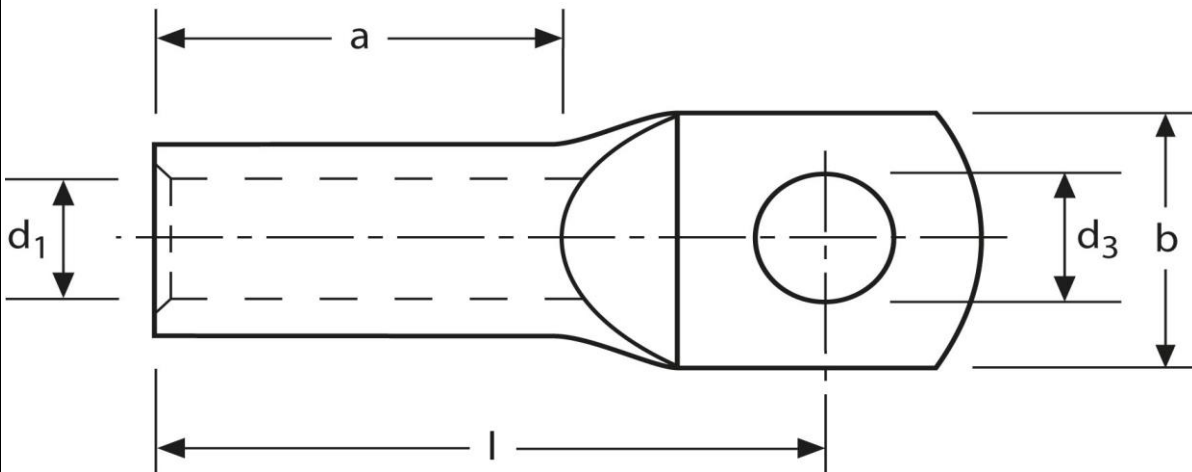
70 mm² M10



Art.Nr.	Werkstoff	Oberfläche		
K341100	E-CU	galv. Sn	44,6/ 1000	50
	d₃	d₁	b	
in mm:	10,5	12,0	23,0	
	l	a		
in mm:	43,4	21		

Stand: 13.11.2014

Tubular cable-lugs
 commercial
 70 mm² M10



part no.	material	surface		
K341100	E-CU	tin-plated	44,6/ 1000	50
	d₃	d₁	b	
in mm:	10,5	12,0	23,0	
	l	a		
in mm:	43,4	21		

date: 13.11.2014